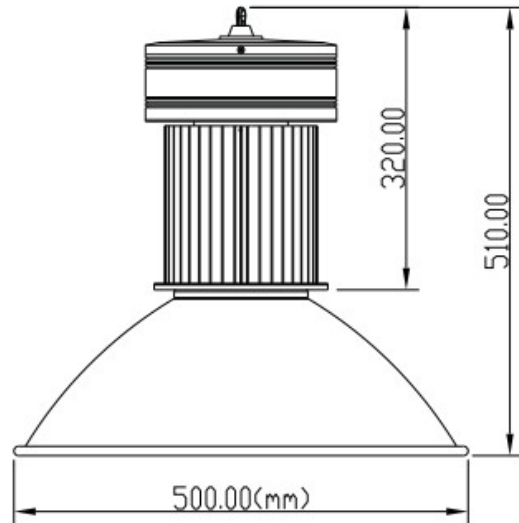


Litesource SSL

LBST200WHB



Specification

Code	Power	Light Angle	Luminous Flux
LBST200WHB	200W	100°	16,000-lm
Colour Temp	Lm/W	Input	Output Current
3000K-6500k	80	240VAC	350mA

Description: A Litesource IP65 LBST200WHB, 200W LED high bay with aluminium reflector.

Life span of 50,000 hrs and 3 year factory based warranty

2 pieces of 100W Bridgelux LED SMD chips as the light source.

Colour: Black or Silver.



Litesource SSL

LBST200WHB

